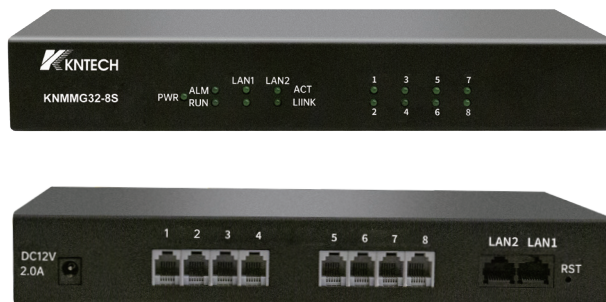


Media Gateway

Model: KNMMG32-8S

KNMMG32-8S series IP Voice (Media) Gateway is a high-performance VoIP gateway that supports a wide range of features and capabilities.



| Model | Description |
|------------|-----------------------|
| KNMMG32-8S | Supports 8 FXS ports. |
| KNMMG32-8P | Supports 8 FXO ports. |

Key Features

Supports SIP 2.0:

Complies with the latest SIP standards, making it interoperable with a wide range of VOIP equipment.

Wide range of voice codecs:

Supports a variety of voice codecs, including G,711A/u,G,7231 high/low, and G,729, This ensures that calls are clear and reliable, even over long distances.

Echo cancellation:

Features echo cancellation to reduce echo and improve call quality.

Real-Time Status Display:

Supports point to point calling for direct communication between two endpoints.

DTFM mode:

Supports DTFM mode for caller ID and other features.

Fax:

Supports fax over IP for sending and receiving faxes.

SIP application:

Supports a variety of SIP applications, such as call transfer, call waiting, and caller ID.

WAN DHCP Client:

Can obtain an IP address from a DHCP server.

SNTP Client:

Can synchronize its time with an SNTP server.

Website configuration:

Can be configured and managed via a web browser.

Advanced Functions

Connect to a variety of VOIP providers:

Can be used to connect to a variety of VoIP providers, giving you the flexibility to choose the best one for your needs.

Integrate with existing phone:

Can be integrated with existing phone systems, making it a seamless transition to VOIP.

Benefits

- Scalability:

Is a scalable solution that can expand with the needs of your business.

- Flexibility:

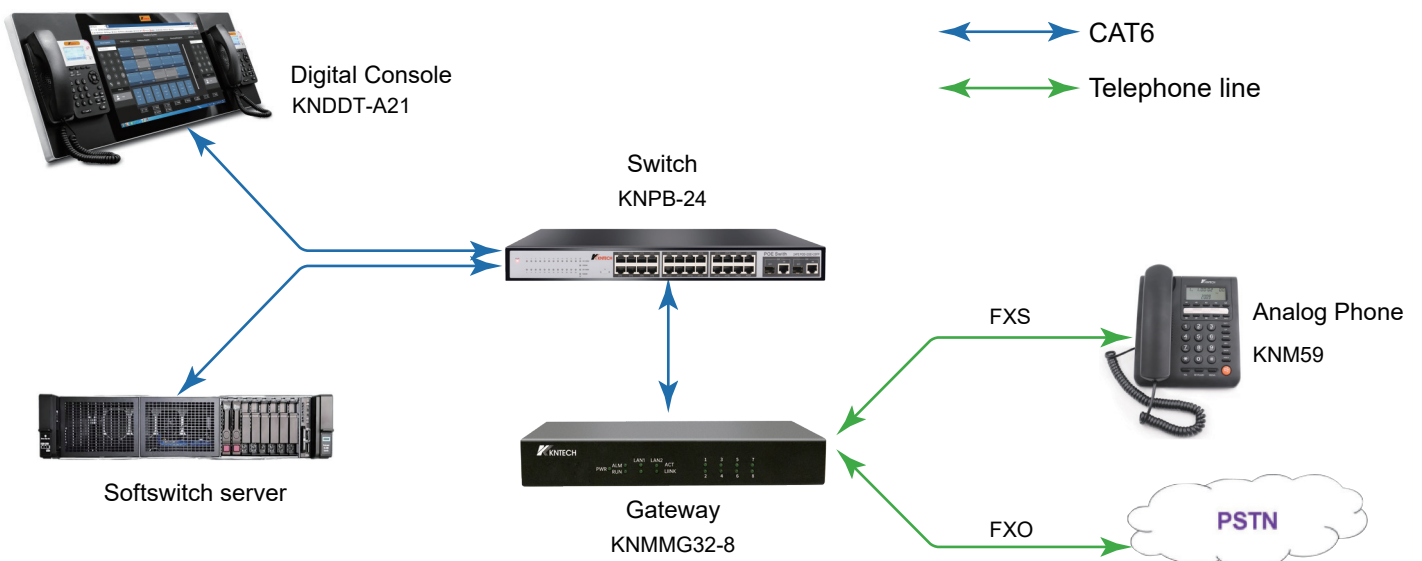
Is a flexible solution that can be adapted to meet the needs of businesses of all sizes.

- Cost savings:

Our Media Gateway can help you save money on your telecommunications costs by eliminating the need for a traditional PBX and by reducing long distance calling costs.

- Improved call quality:

Our Media Gateway can provide improved call quality compared to traditional phone systems by using the latest voice codecs and echo cancellation technology.



Specification

| | |
|-----------------------|--|
| Installation | FXO/FXS/E&M, Maximum Port 8 |
| LAN | 10/100BASE RJ45*2 |
| Speech coding | G,711a/μlaw, G,723,1, G,729A/B |
| Fax | T,38/Pass-through |
| VoIP protocol | SIP V2,0 (PFC3261,3262,3264) SDP, PTP/PTCP,DHCP,TFTP/HTTP/HTTPS |
| DTMF Mode | Signal/PFC2833/INBAND |
| Power | 100-240VAC, 50-60 Hz 24W |
| Humidity | 10% -90% no condensation |
| Operating temperature | 0℃ ~50℃ |
| Size | 24.2cm * 15.12cm * 3.72cm |
| Index of protection | IP3X |
| Applicable Standards | EN 62368-1:2014/A11:2017/EN 55032:2015/A11:2020 EN 55035:2017/A11:2020 |

Size display

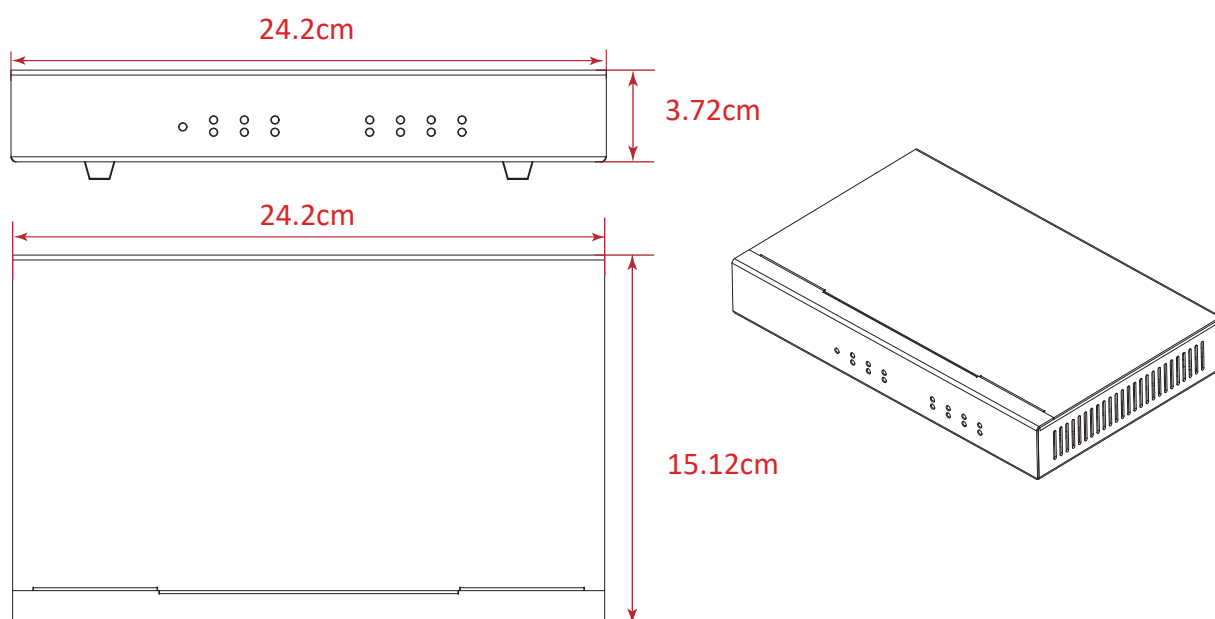


Photo Album

- Single power supply



Seamless Integration
Unlimited Possibility

Powerhouse | Versatile | User-friendly



Web: www.koontech.com

Email: marketing@koontech.com

Tel: (HK Office) +852 9068 2799 / (Shenzhen Office) +86 755 2744 8753

Shenzhen Office: 1001 Block A Building T3, Yifang Center, Bao'an, Shenzhen, Guangdong, China

HK Office: Unit C, 2/F, Ka To Factory Building, 2 Cheung Yue Street, Cheung Sha Wan, Kowloon, Hong Kong

Factory: KNTECH Building, Phoenix Mountain, Limhai Zone, Shajiao Community, Humen, Dongguan, China